

Waterproof Access Control Reader

Model:XTSF1

X-TOP

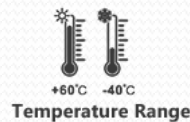
Parameters



- > Waterproof, up to IP66
- > Metal Design & Anti-Vandal
- > Standalone, one relay
- > 1,000 fingerprint, 2,000 card users
- > Wiegand 26~44 output
- > Pulse mode, toggle mode
- > Multi fingerprints/cards access
- > Interlock, Support Principal User

X-TOP

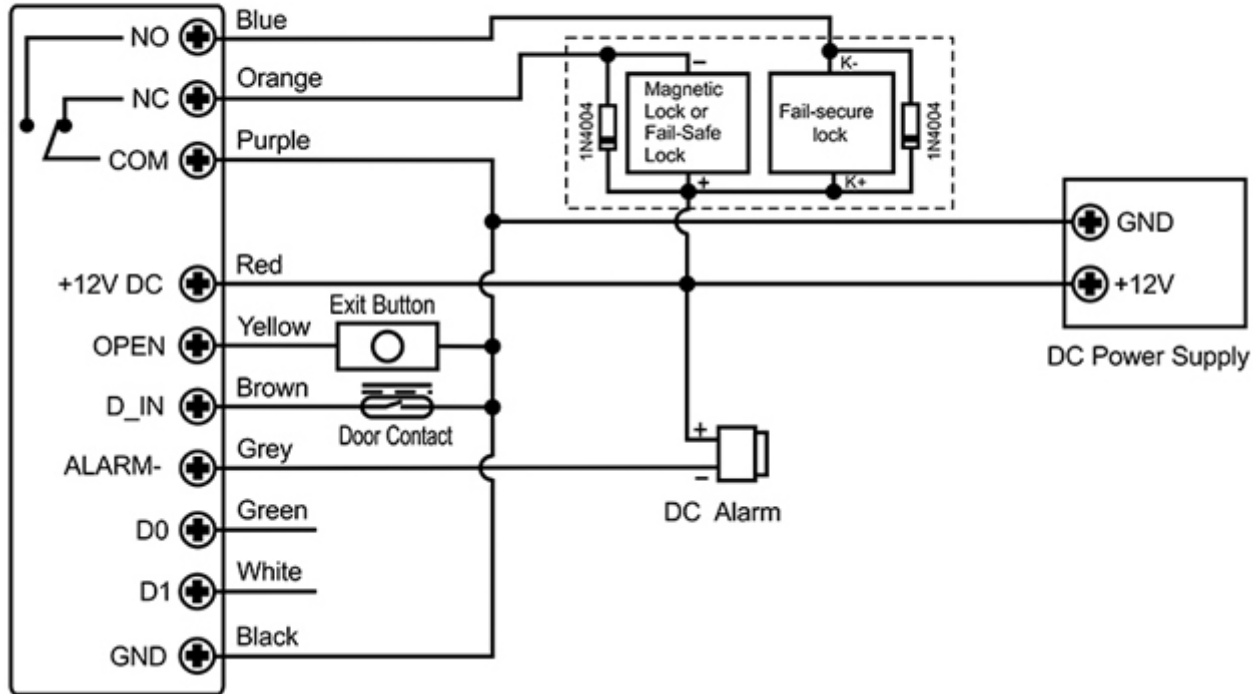
X-10b



Specifications

User Capacity Fingerprint Card	3000 1000 2000
Operating Voltage Idle Current	12V DC < 45mA
Proximity Card Reader Radio Technology Read Range	EM 125KHz Proximity Card 1~4 cm
Fingerprint Reader Resolution Identification time FAR FRR	Optical Fingerprint Module 500DPI <1S <0.001% <0.01%
Wiring Connections	Relay output, exit button, alarm, door contact, Wiegand output
Relay Adjustable Relay Output Time Lock Output Load	One (NO, NC, Common) 0~99 Seconds (5 seconds default) 2 Amp Maximum
Wiegand Interface	Wiegand 26~44bits output
Environment Operating Temperature Operating Humidity	Meets IP66 -30°C ~ 60°C (-22°F ~ 140°F)--Default -40°C ~ 60°C (-40°F ~ 140°F)--Optional 10%RH ~ 99%RH
Physical Color Dimensions Unit Weight Shipping Weight	Zinc-Alloy Silver L128 x W48 x H26 (mm) 400g 500g

Common Power Supply



Access Control Power Supply

